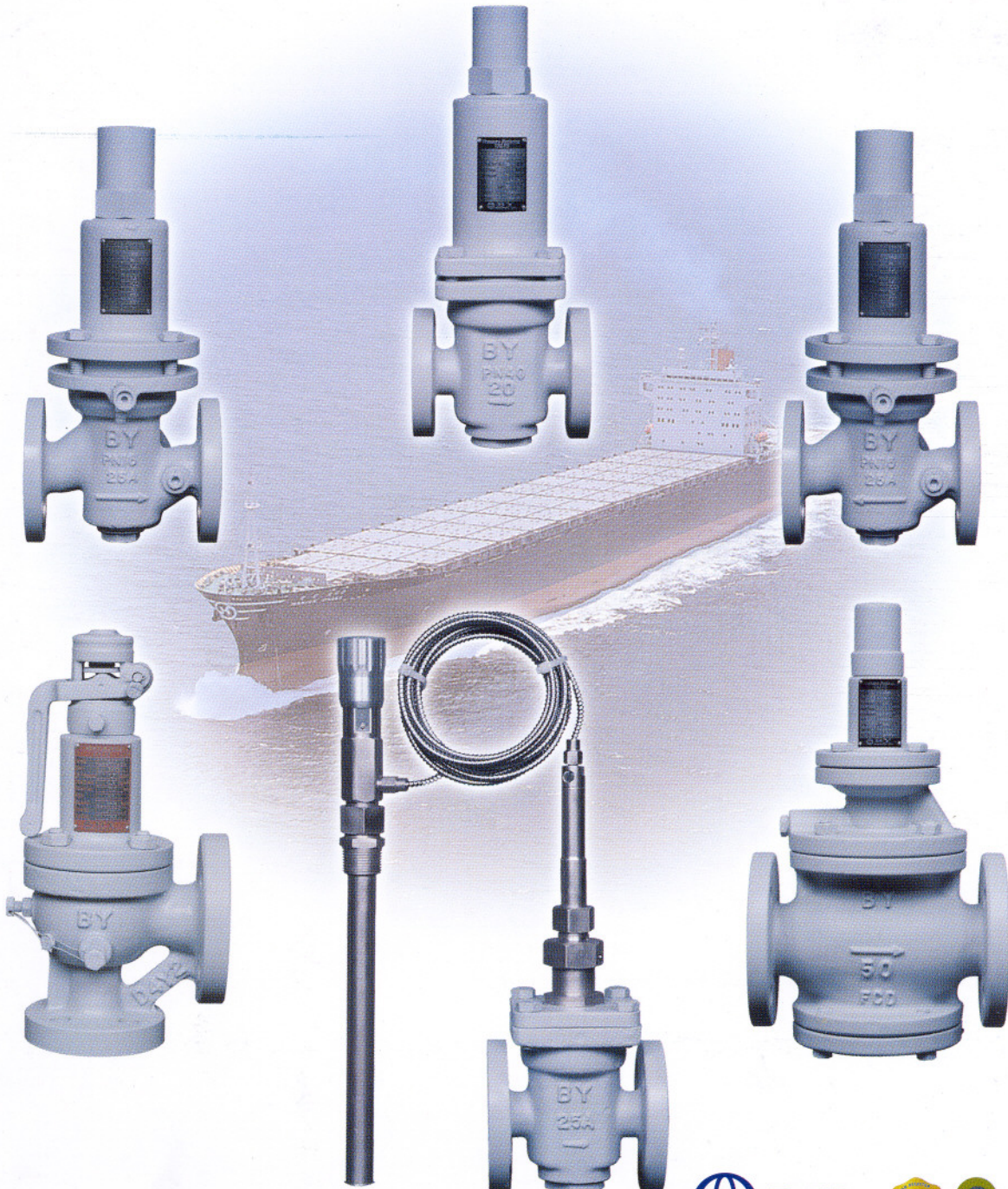


EAGLE

REGULATING & SAFETY VALVES



KS A 9001:2001 / ISO 9001:2000
APPROVED BY KOREAN REGISTER OF SHIPPING

FEATURES

EAGLE RV01 Pilot Type Pressure Reducing Valve is designed for general steam service, heating service, boiler burner service and etc.

This valve does not need assistant power such as electricity and air.

GENERAL SPECIFICATION

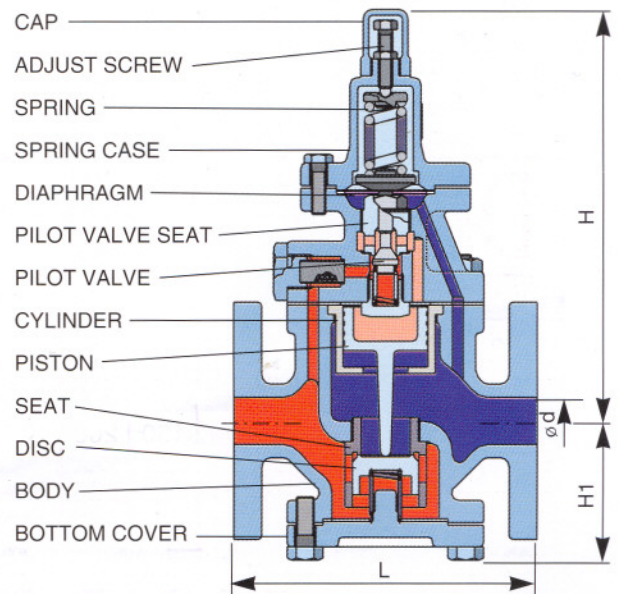
Valve Type	Pilot Operated
Pressure Rating	ANSI 150 (JIS 10K)
Design Temperature	220°C
Valve Size	1/2" ~ 4" (15 ~ 100 mm)
Applicable Fluid	Steam
Max Inlet	16 kgf/cm ²
Outlet Press	0.5~8 kgf/cm ²
Min Differential Pressure	0.7 kgf/cm ²
Leakage Class	ANSI IV (0.01% of Rated Cv)

STANDARD MATERIAL

ITEM	ASTM	JIS
Body & Bonnet	A216 Gr, WCB	SCPH2
	A536 Gr, 65.45.12	FCD45
Seat	B584, C836	BC6
Disc	B584, C836	BC6
Piston	B584, C836	BC6
Cylinder	B584, C836	BC6

DIMENSION & Cv VALUE

Rating	10K								
Size	1/2"	3/4"	1"	1 1/4"	1 1/2"	2"	2 1/2"	3"	4"
d	15	20	25	32	40	50	65	80	100
L	165	165	170	200	200	220	250	290	320
H ₁	75	75	75	85	85	92	110	130	150
H	270	270	270	275	275	283	310	350	370
Cv	1	25	4	65	9	16	25	36	64



FEATURES

Eagle RV02 Direct Type Pressure Reducing Valve is designed for Air, Gas and liquid. This is possible to regulate the fluid pressure at constant value on the outlet side of the valve, irrespective of fluctuation in load. Set pressure is designed within a range of 10 to 1.0 kgf/cm²g. The valve is designed for enable to disassembling the valve from upside without disconnecting a pipe.

GENERAL SPECIFICATION

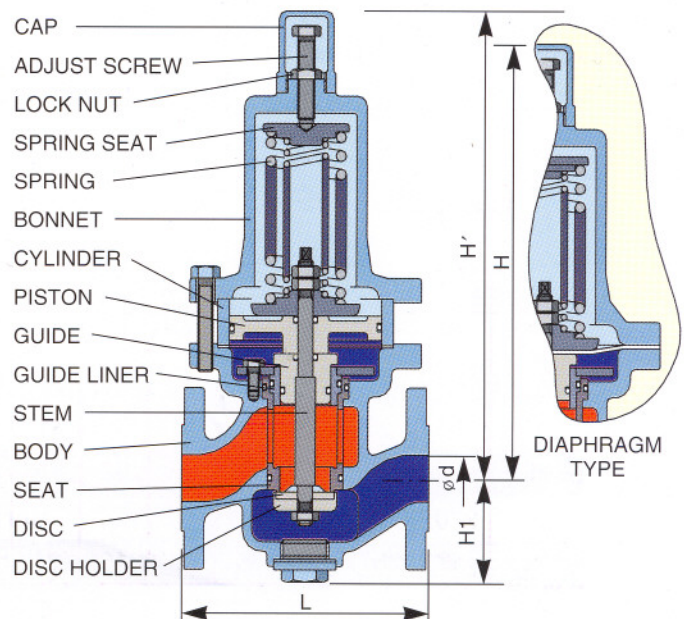
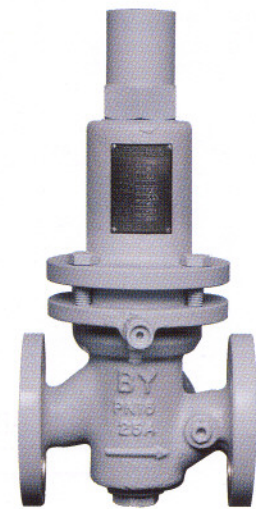
Valve Type	Direct Operated
Pressure Rating	ANSI 300 (JIS 16K)
Design Temperature	150°C
Valve Size	1/2" ~ 4" (15 ~ 100mm)
Applicable Fluid	Air, Gas, Liquid
Max Inlet Pressure	16 kgf/cm ²
Outlet Pressure	0.5~8 kgf/cm ²
Min Differential Pressure	0.5 kgf/cm ²
Leakage Class	ANSI IV(0.01% of Rated Cv)

STANDARD MATERIAL

ITEM	ASTM	JIS
Body & Bonnet	A216 Gr, WCB	SCPH2
	A536 Gr, 65.45.12	FCD45
Seat	A351, CF8	SCS13
Disc	NBR	NBR
Piston	B584, C836	BC6
Cylinder	A234, TP304	SUS304
Diaphragm	NBR	NBR
Stem	A276, 304	SUS304

DIMENSION & Cv VALUE

Rating	10K								
Size	1/2"	3/4"	1"	1 1/4"	1 1/2"	2"	2 1/2"	3"	4"
d	15	20	25	32	40	50	65	80	100
L	136	140	150	190	190	200	230	260	300
H ₁	55	55	55	75	75	80	105	120	130
H	256	256	269	356	356	360	430	490	530
Cv	1	2	3.5	5.5	8	14	22	32	48



FEATURES

EAGLE RV03 Direct Type Pressure Reducing Valve is designed for Air and Gas. The pressure balanced disc constantly and stably regulates the secondary pressure, it depends on the primary pressure variation.

GENERAL SPECIFICATION

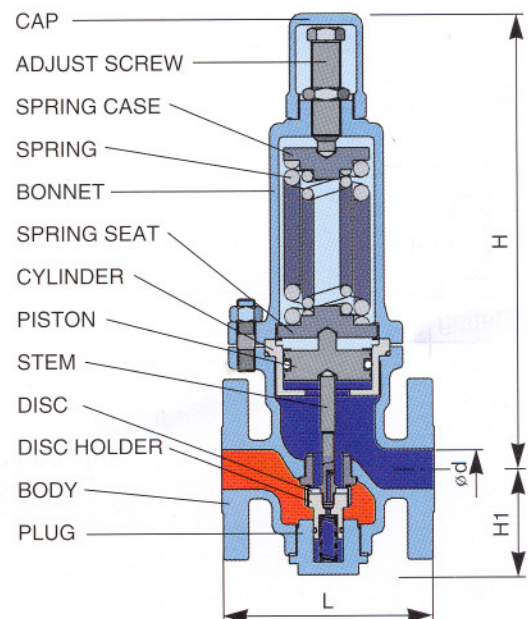
Valve Type	Direct Operated
Pressure Rating	ANSI 600 (JIS 30K)
Design Temperature	80° C
Valve Size	1/2" ~ 1 1/2" (15 ~ 40mm)
Applicable Fluid	Air, Gas
Max Inlet	30 kgf/cm ²
Outlet Press	0.5~11 kgf/cm ²
Min Differential Pressure	0.5 kgf/cm ²
Leakage Class	ANSI IV(0.01% of Rated Cv)

STANDARD MATERIAL

ITEM	ASTM	JIS
Body & Bonnet	A216 Gr, WCB	SCPH2
Seat	A276, 304	SUS304
Disc	VITON	VITON
Piston	B584, C836	BC6
Cylinder	A234, TP304	SUS304
Diaphragm	NBR	NBR
Stem	A276, 304	SUS304

DIMENSION & Cv VALUE

Rating	30K				
Size	1/2"	3/4"	1"	1 1/4"	1 1/2"
d	15	20	25	32	40
L	145	145	150	180	180
H _i	61	61	61	78	78
H	293	293	293	352	352
Cv	1	2.5	4	6.3	8



FEATURES

EAGLE PV01 Direct Type Pressure Regulating Valve is designed for Air, Gas and Liquid.

This is pison balance type, generally installed on discharge line of pump and stably maintains regular discharge pressure. The valve is designed for enable to disassembling the valve from upside without disconnecting a pipe.

GENERAL SPECIFICATION

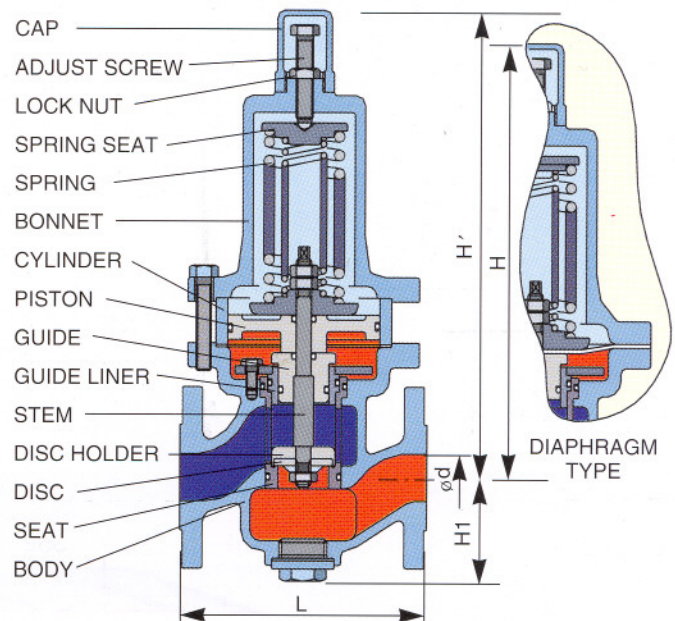
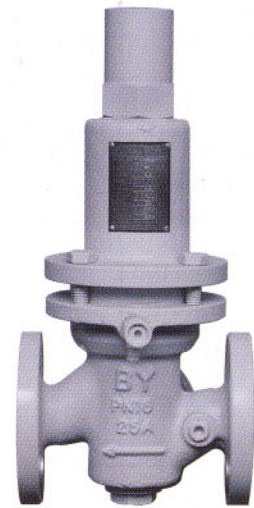
Valve Type	Direct Operated
Pressure Rating	ANSI 300 (JIS 16K)
Design Temperature	150°C
Valve Size	1/2" ~ 4" (15 ~ 100 mm)
Applicable Fluid	Air, Gas, Liquid
Max Inlet Pressure	16 kgf/cm ²
Outlet Pressure	0.5~8 kgf/cm ²
Min Differential Pressure	0.5 kgf/cm ²
Leakage Class	ANSI IV(0.01% of Rated Cv)

STANDARD MATERIAL

ITEM	ASTM	JIS
Body & Bonnet	A216 Gr, WCB	SCPH2
	A536 Gr, 65.45.12	FCD45
Seat	A351, CF8	SCS13
Disc	NBR	NBR
Piston	B584, C836	BC6
Cylinder	A234, TP304	SUS304
Diaphragm	NBR	NBR
Stem	A276, 304	SUS304

DIMENSION & Cv VALUE

Rating	10K								
Size	1/2"	3/4"	1"	1 1/4"	1 1/2"	2"	2 1/2"	3"	4"
d	15	20	25	32	40	50	65	80	100
L	136	140	150	190	190	200	230	260	300
H _i	55	55	55	75	75	80	105	120	130
H	256	256	269	356	356	360	430	490	530
Cv	1	2	3.5	5.5	8	14	22	32	48



FEATURES

EAGLE TC01 Direct Type Temperature Regulating Valve is designed for steam and thermal oil. The design of this valve is simple to ensure that easy to install, steady operating and does not need assistant power. This valve does not need strainer because the screen is installed on inside body.

GENERAL SPECIFICATION

Valve Type	Direct Operated
Pressure Rating	ANSI 300 (JIS 16K)
Valve Size	1/2" ~ 1 1/2" (15 ~ 40mm)
Applicable Fluid	Steam, Hot Water, Thermal oil.
Max Inlet	10 kgf/cm ²
Leakage Class	ANSI IV (0.01% of Rated Cv)

STANDARD MATERIAL

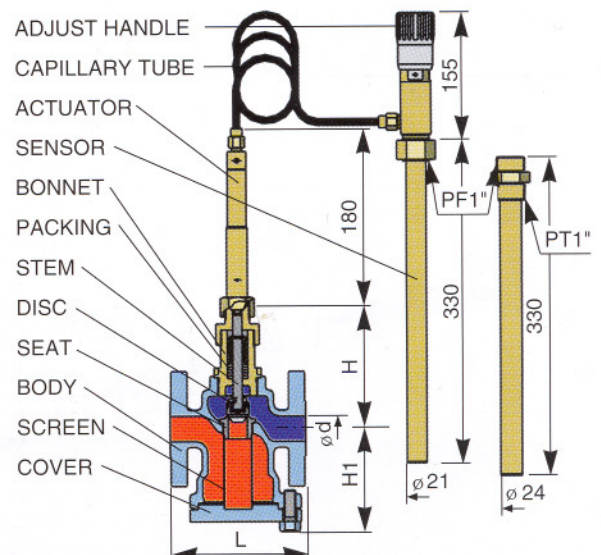
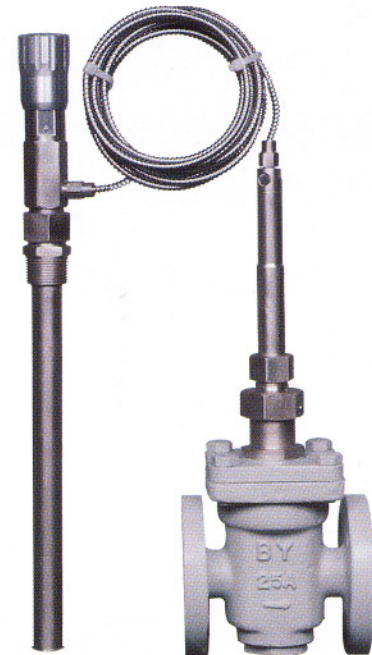
ITEM	ASTM	JIS
Body & Bonnet	A216 Gr, WCB	SCPH2
	A536 Gr, 65.45.12	FCD45
	B584, C836	BC6
Seat	A276, 304	SUS 304
Disc	A276, 304	SUS 304

SENSOR TEMP. RANGE

Range	10 ~ 60°C, 50 ~ 100°C, 80 ~ 130°C
-------	-----------------------------------

DIMENSION & Cv VALUE

Rating	10K				
Size	1/2"	3/4"	1"	1 1/4"	1 1/2"
d	15	20	25	32	40
L	140	145	145	175	175
H _i	105	105	105	140	140
H	125	125	125	140	140
Cv	1	1.5	3	4	6



FEATURES

EAGLE SV01, 02, 03 series Safety Relief Valve to protect from overpressure of process lines. The fluid to be applied is air, gas, steam, vapor and liquid. Disc Parts of SV01, 02, 03 valves are composed of the disc and disc holder. Being used in high temperature, the separated disc and holder have excellent seat tightness of the distortion more than unified disc. In addition, the seats are machined and lapped with a high precision to surface finish of less than 0.1 micron to enhance the seat tightness. The center to face dimension is in accordance with the API Standard 526.

GENERAL SPECIFICATION

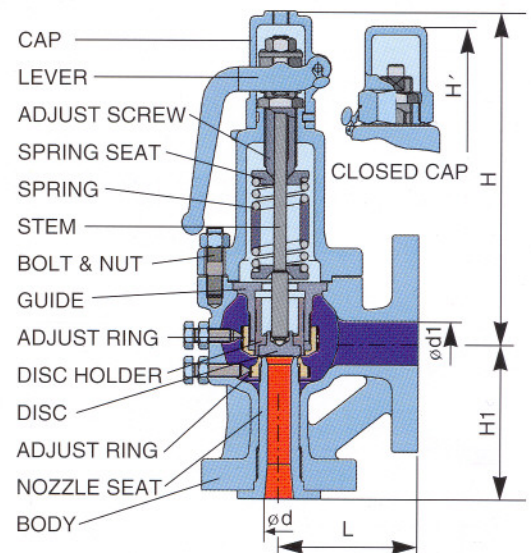
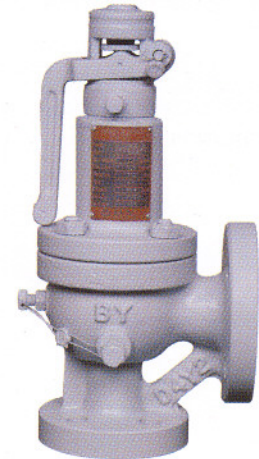
Valve Type	Full Bore
Pressure Rating	SV01 : ANSI 150 (JIS 10K) SV02 : ANSI 300 (JIS 20K) SV03 : ANSI 600 (JIS 30K)
Design Temperature	350°C
Valve Size	SV01 : 1/2" ~ 8" (15 ~ 200mm) SV02 : 1/2" ~ 8" (15 ~ 200mm) SV03 : 1/2" ~ 1" (15 ~ 25mm)
Applicable Fluid	Steam, Water, Gas & Liquid
Leakage Class	JIS B 8210

STANDARD MATERIAL

ITEM	ASTM	JIS
Body & Bonnet	A216 Gr, WCB	SCPH2
	A536 Gr, 65.45.12	FCD45
	B584, C836	BC6
Seat	A276, 304	SUS304
Disc	A276, 304	SUS304
Stem	A276, 304	SUS304
Spring	SWOCS or SUP9	SWOCS or SUP9

DIMENSION

Rating	JIS 10K, 20K, 30K					JIS 10K, 20K						
	1/2" x 1"	3/4" x 1"	3/4" x 1 1/2"	1" x 1 1/2"	1" x 2"	1/2" x 1 1/2"	2" x 3"	2 1/2" x 4"	3" x 5"	4" x 6"	6" x 8"	8" x 10"
Size	1/2" x 1"	3/4" x 1"	3/4" x 1 1/2"	1" x 1 1/2"	1" x 2"	1/2" x 1 1/2"	2" x 3"	2 1/2" x 4"	3" x 5"	4" x 6"	6" x 8"	8" x 10"
d	12	20	20	25	25	40	50	65	80	100	150	200
d ₁	25	25	40	40	50	65	80	100	125	150	200	250
dt	11.5	11.5	15	19	19	30	38	49	61	76	115	152
L	85	85	95	114	114	121	124	144	165	210	241	279
H ₁	90	90	100	104	104	124	137	156	168	197	240	276
H	192	192	192	216	216	286	347	425	465	520	750	820
H'	185	185	185	210	210	280	340	417	457	510	740	810



FEATURES

EAGLE 2111 Angle Type Spring Loaded Safety Relief Valve is designed for steam, air and liquid. The inlet and outlet screw are unified on the valve body and therefore easy to install and maintain with simply opened the cap. It is available to select o-ring for various fluid.

GENERAL SPECIFICATION

Valve Type	Low Lift
Pressure Rating	ANSI 150 (JIS 10K)
Design Temperature	220°C
Valve Size	1/2" ~ 2" (15 ~ 50mm)
Applicable Fluid	Water, Steam, Gas, Liquid
Leakage Class	JIS B8210

STANDARD MATERIAL

ITEM	ASTM	JIS
Body & Bonnet	A584, C836	BC6
Seat	A276, 304	BUS 304
Disc	A276, 304	BUS 304
Stem	A276, 304	BUS 304
Spring	SWOSC	SWOSC

DIMENSION

Size	1/2" x 1"	1/2" x 1"	1" x 1"	1 1/4" x 1 1/4"	1 1/2" x 1 1/2"	2" x 2"
ds	21	21	26	41	41	51
L	38	38	43	56	56	67
H _i	40	40	48	60	60	72
H	139	139	161	215	215	241
H'	134	134	156	208	208	234
PTd"	PT 1/2"	PT 3/4"	PT 1"	PT 1 1/4"	PT 1/2"	PT 2"
PTd1	PT 3/4"	PT 3/4"	PT 1"	PT 1 1/4"	PT 1/2"	PT 2"

